

System Two External Filter Interface Installation



Introduction

System Two includes seven sockets for optional filters. Also available is a blank circuit board to allow user design and construction of custom filters, and an interface board with leads to connectors for an external filter. Although normally factory-installed, these optional filters may be changed or added in the field. These instructions describe the installation of the external filter interface, which functions similarly to an internal filter except that it provides leads to added connectors on the rear panel.

Many different internal filters are available from Audio Precision, as described in the Specifications Booklet and other literature.

External Filter Requirements

Since an external filter is inserted in series with internal circuitry, it must meet these requirements:

The filter should have an output impedance less than 1 k Ω , and a nominal voltage gain of 1 (0 dB). Its expected signal level range is 0 to 1.8 V peak-to-peak.



Audio Precision, Inc.
PO Box 2209
Beaverton, Oregon 97075-2209
U.S. Toll Free: 1-800-231-7350
Tel: 503-627-0832 Fax: 503-641-8906
email: techsupport@audioprecision.com
Web: audioprecision.com

WARNING!

Hazardous voltages exist inside System Two whenever it is plugged into an ac power source. Unplug the power cord from the instrument before proceeding.

Installation Procedure

Before proceeding, note the tag on the rear of the instrument. This tag lists the filters that are already installed, and it should be updated if the filters are changed or added. Also note that the filter positions are numbered starting from the rear of the instrument.

1. Remove the handle or the rackmounting brackets (if present) from the side(s) of the instrument.
2. Remove the ten screws in the System Two bottom cover, and lift off the cover.
3. Refer to Figure 1 to locate the filter positions.
4. Remove the two screws securing the filter hold-down bracket.
5. Remove the blank panel on the rear of the instrument and install the new panel with BNC connectors.
6. Connect and dress the cables as shown in Figure 2. Note that the clear-insulated center leads go on the pins closest to the bottom of the board.
7. Install the interface adapter in any position. Figure 2 shows it installed in position #7. Make sure that all eight pins engage the socket properly.
8. Replace the filter hold-down bracket removed in step 4.
9. Change the tag on the rear of the instrument to reflect the new filter installation.
10. Reinstall the bottom cover and test the instrument.

This completes the installation.

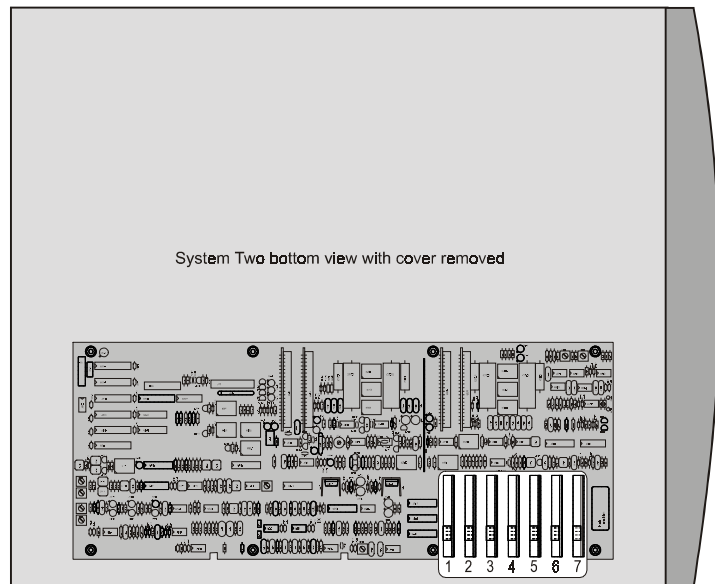


Figure 1. System Two bottom view showing filter locations

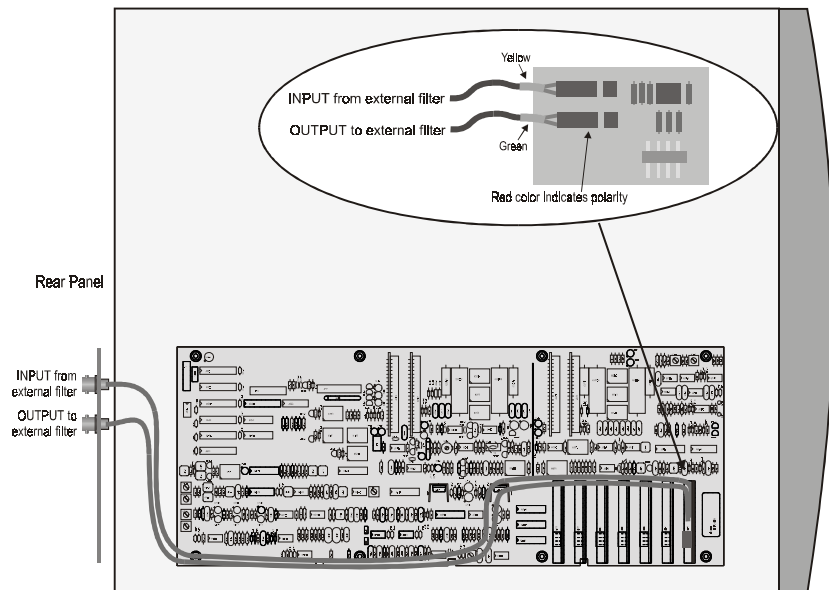


Figure 2. Installation of external filter interface in System Two